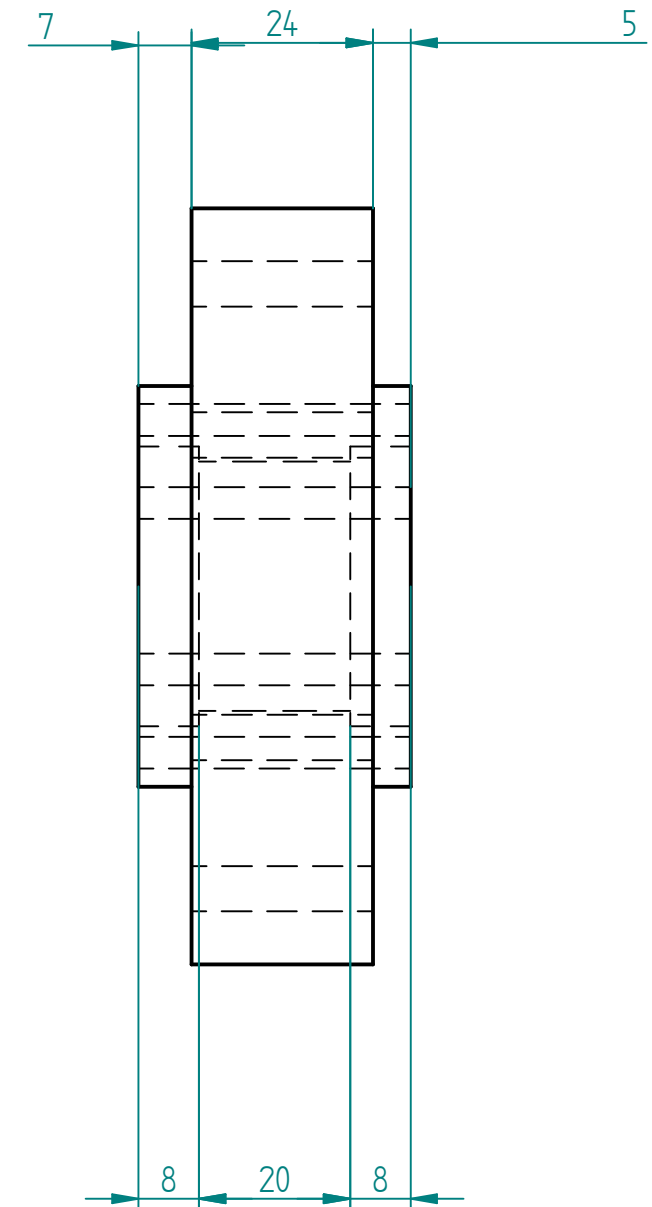
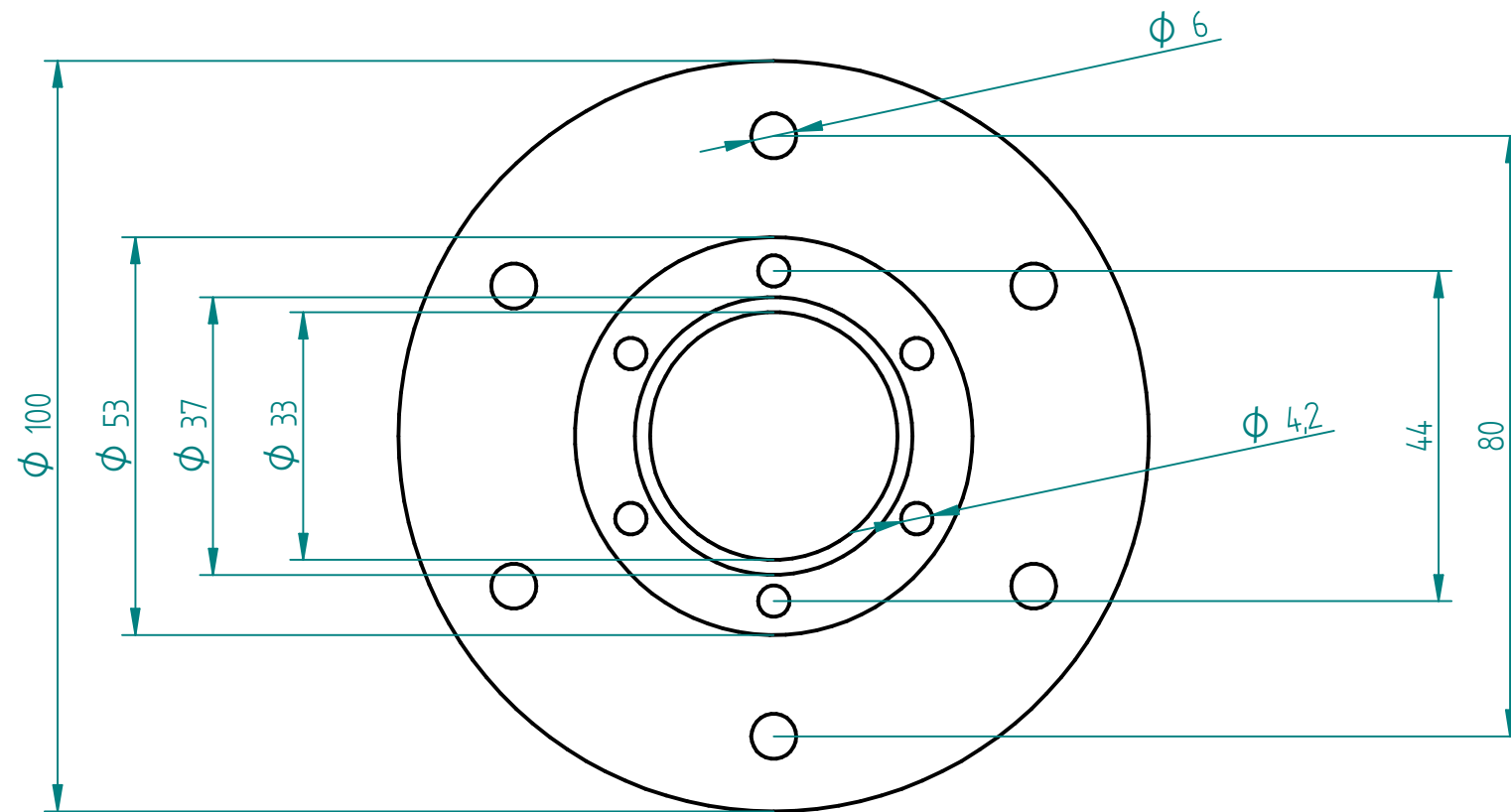


REVISION HISTORY			
REV	DESCRIPTION	DATE	APPROVED



	NAME	DATE	<h1>Solid Edge</h1>		
DRAWN	matthew	04/10/16			
CHECKED					
ENG APPR					
MGR APPR			TITLE		
UNLESS OTHERWISE SPECIFIED DIMENSIONS ARE IN MILLIMETERS ANGLES $\pm X.X^\circ$ 2 PL $\pm X.XX$ 3 PL $\pm X.XXX$			SIZE	DWG NO	REV
			A3		
			FILE NAME: NewHub.dft		
SCALE:		WEIGHT:	SHEET 1 OF 1		

SOLID EDGE ACADEMIC COPY