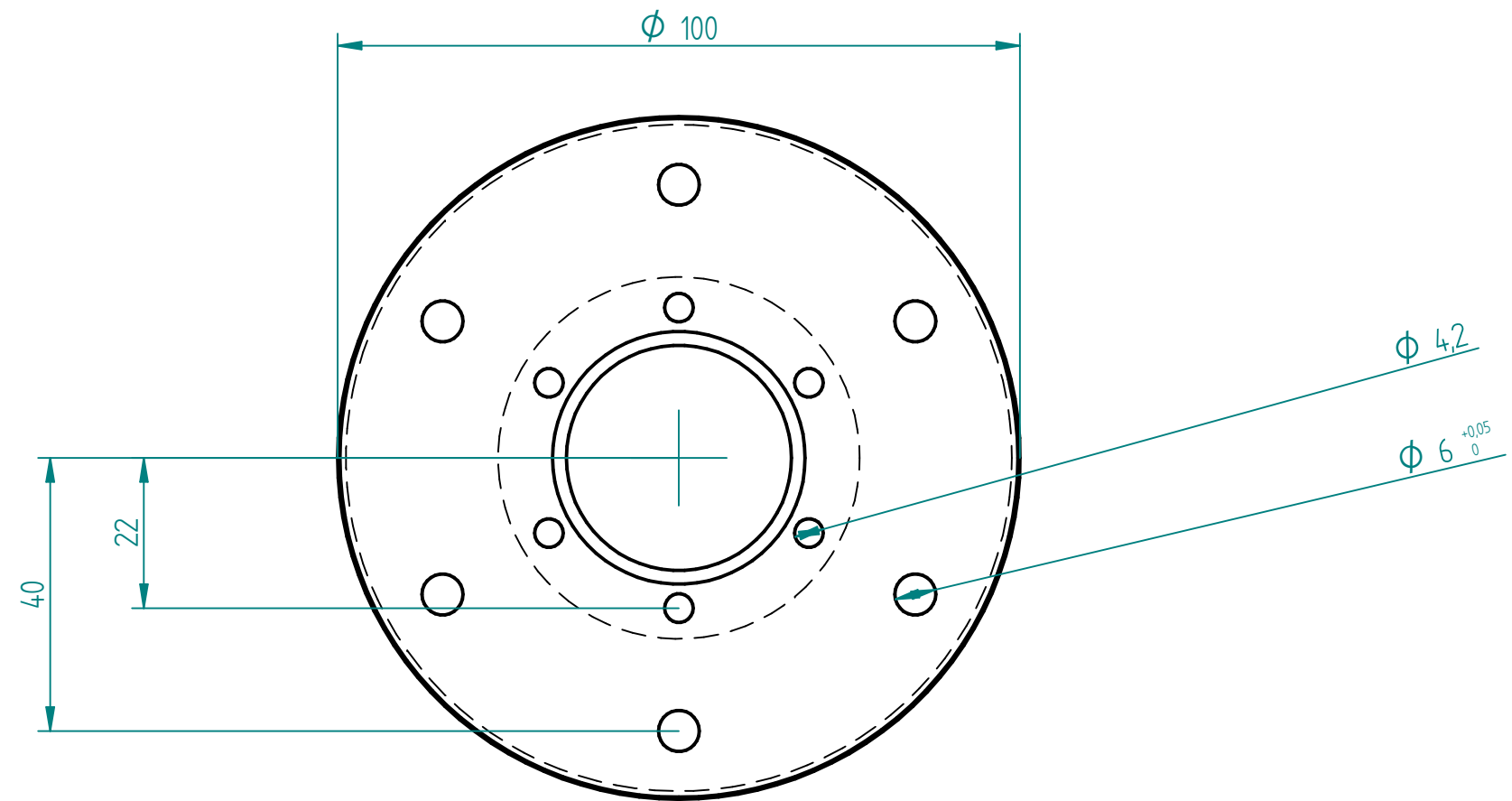
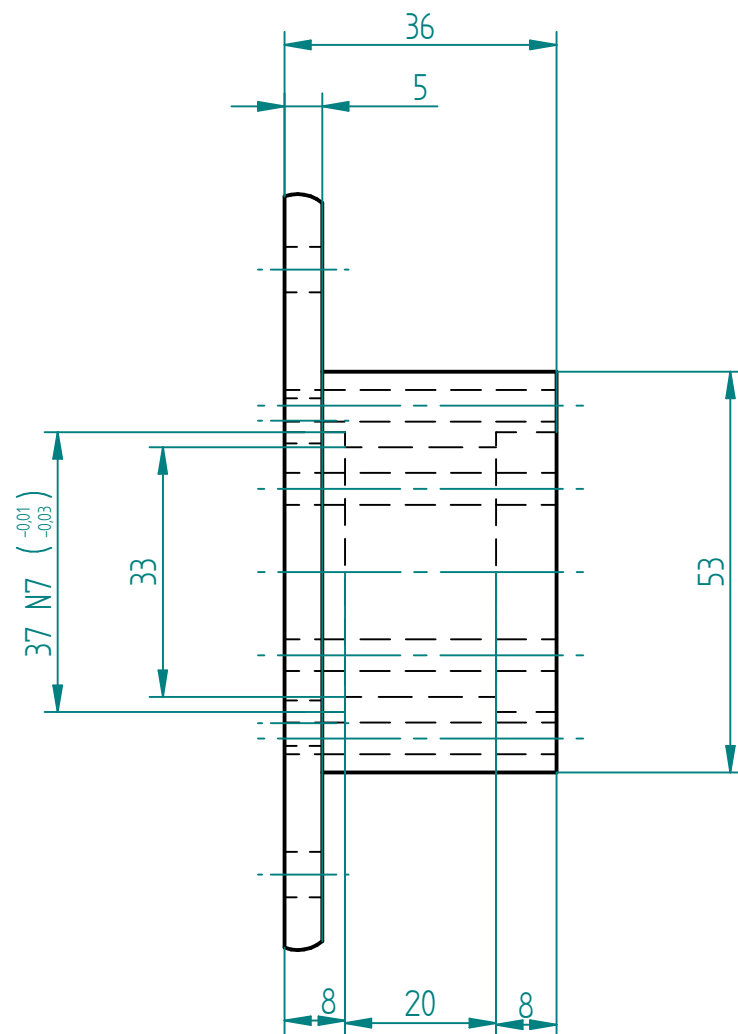


REVISION HISTORY

REV	DESCRIPTION	DATE	APPROVED



Unless specified all measurements +/- 0.05mm

SOLID EDGE ACADEMIC COPY

	NAME	DATE	<h1>Solid Edge</h1>		
DRAWN	matthew	03/31/16			
CHECKED					
ENG APPR					
MGR APPR			TITLE		
UNLESS OTHERWISE SPECIFIED DIMENSIONS ARE IN MILLIMETERS ANGLES ±X.X° 2 PL ±X.XX 3 PL ±X.XXX			SIZE	DWG NO	REV
			A3		
			FILE NAME: Hub.dft		
SCALE:	WEIGHT:	SHEET 1 OF 1			